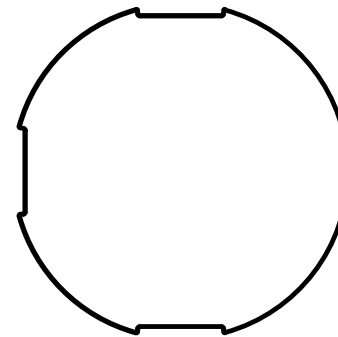
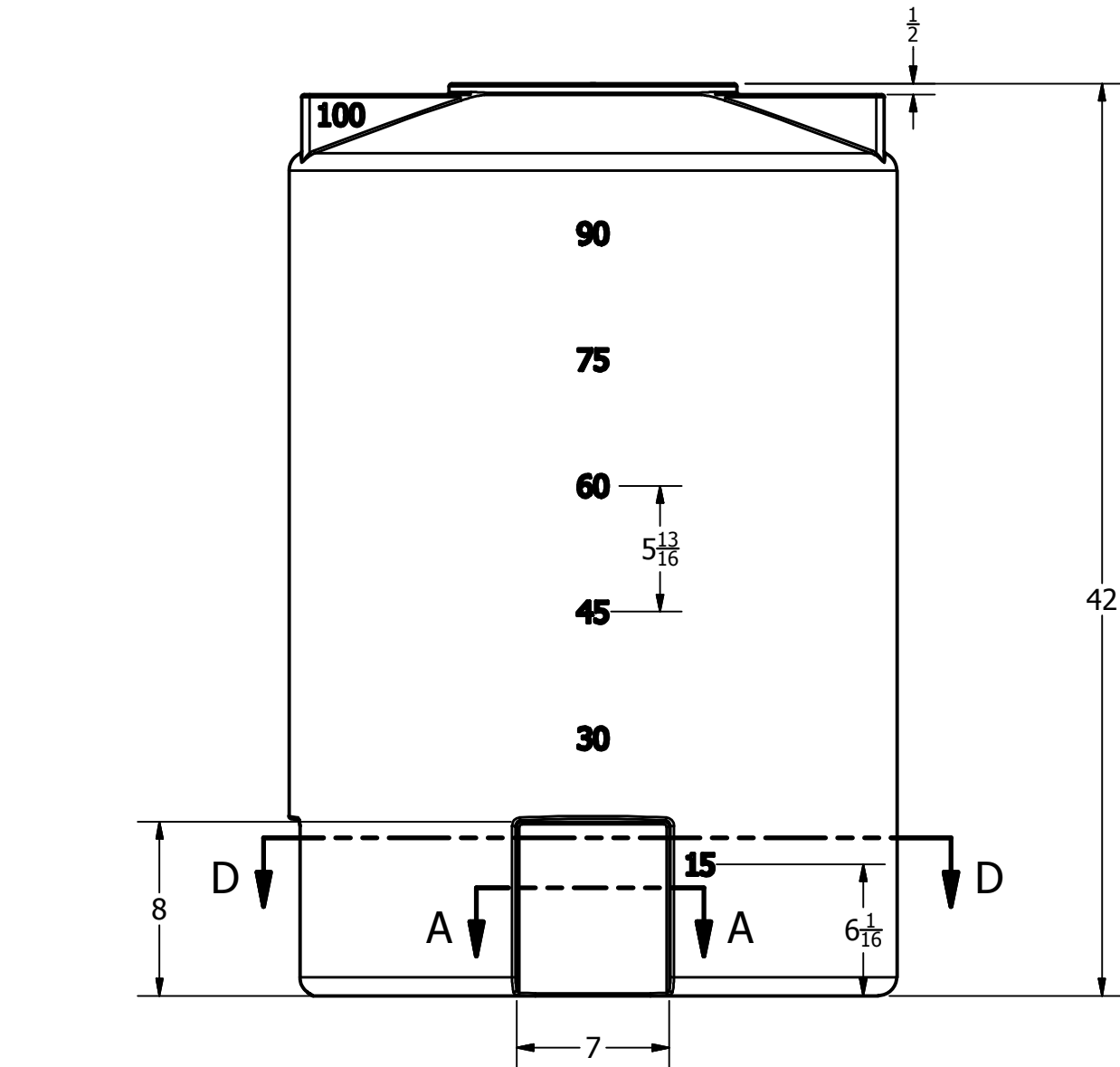
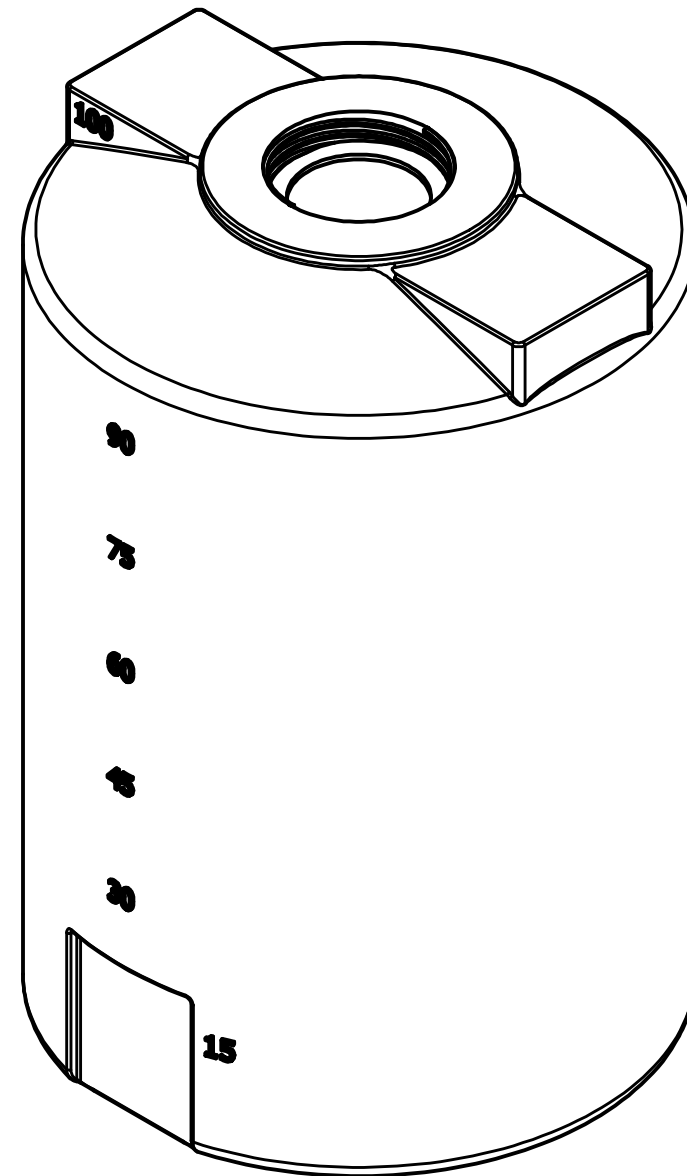



SECTION A-A
SCALE 1:4



SECTION D-D
SCALE 1:16

REVISION HISTORY			
REV	DESCRIPTION	DATE	AUTHOR
A	REDRAWN	7/1/2013	Michael Holden
DRAWN	Jerry Paulson	6/6/2003	 NORWESCO, INC. SAINT BONIFACIUS, MN TITLE 100 GALLON VERTICAL TANK X 28 DIAMETER
CHECKED			
QA			
MFG			
APPROVED			
	SIZE	DWG NO	REV
	B		A
	SCALE: 1/16		SHEET 1 OF 1