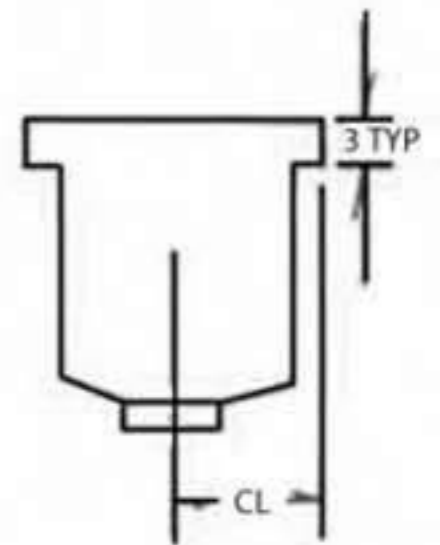
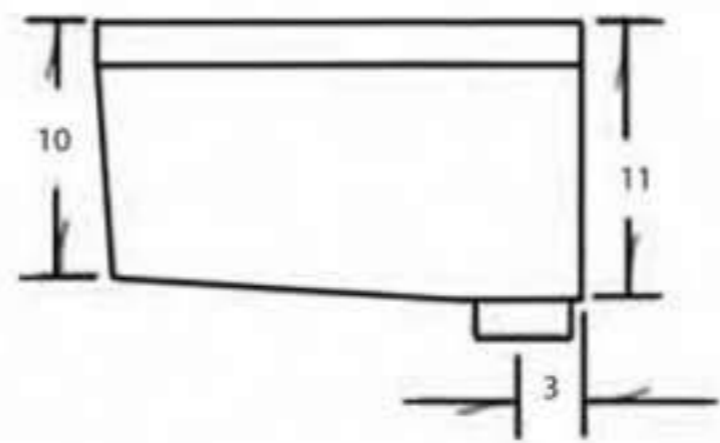
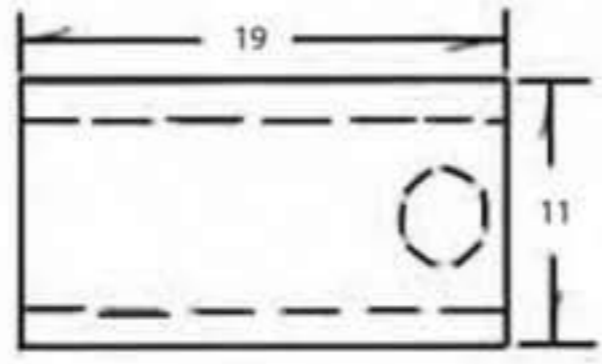




Part Number: 19H
Quantity: _____

Directions: Please complete all the information and submit back to (512) 373-8750 or email to mydrawing@plastic-mart.com. A representative will call back to go over every detail and make sure you're comfortable enough to place your order.

1. Enter part number and quantity
2. Enter length, width and height in inches
3. Use the fitting images to indicate location of fittings
 - INDICATES A HIDDEN FITTING (Bottom, Left & Backside)
 - INDICATES A VISIBLE FITTING (Top, Right & Frontside)
4. Most fittings we install will be female NPT
5. We will contact you to discuss the type of fittings to be installed



THIS TANK WILL BE USED FOR:

BOAT RV

OTHER: _____

IT WILL CONTAIN:

NAME: _____

COMPANY: _____

PHONE: _____

FAX: _____

EMAIL: _____

SHIP TO ADDRESS: _____

SHIP TO PHONE: _____

SHIP TO: COMMERCIAL RESIDENTIAL

THIS TANK IS NOT INTENDED FOR FUEL USE