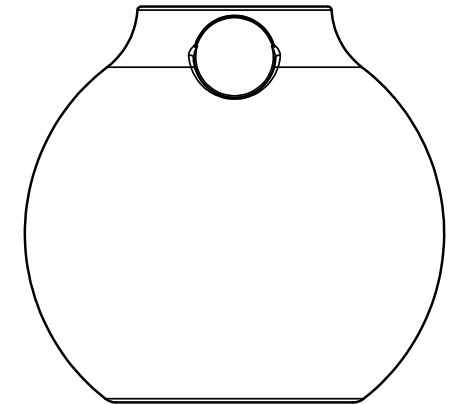
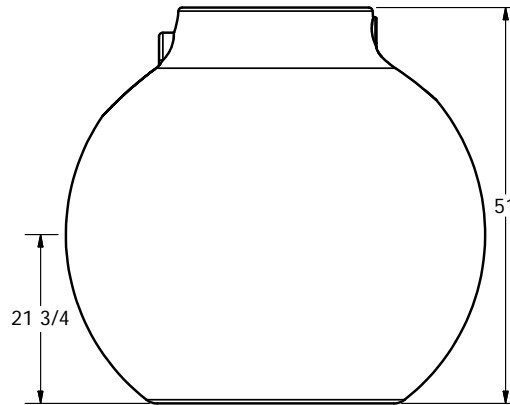
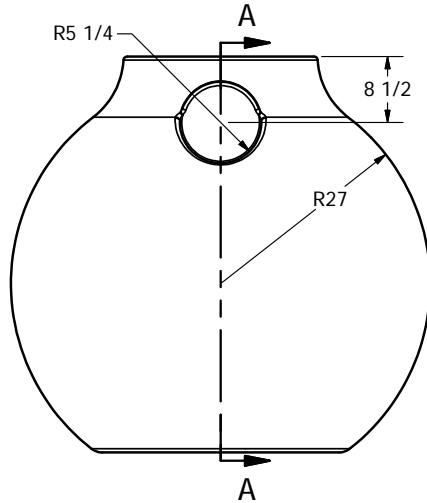


SECTION A-A
SCALE 1/16



DRAWN	Jerry Paulson	5/13/2010
CHECKED		
QA		
MFG		
APPROVED		

NORWESCO

NORWESCO, INC., ST. BONIFACIUS, MN

TITLE

300 GALLON SPHERICAL PUMP TANK W/
RECESSED INLET/OUTLET

SIZE	DWG NO	REV
B	41319	A

SCALE: 1/16

SHEET 1 OF 1

REVISION HISTORY			
REVISION	DESCRIPTION	DATE	BY
A	REMOVED INLET HUB	5/24/2010	JTP