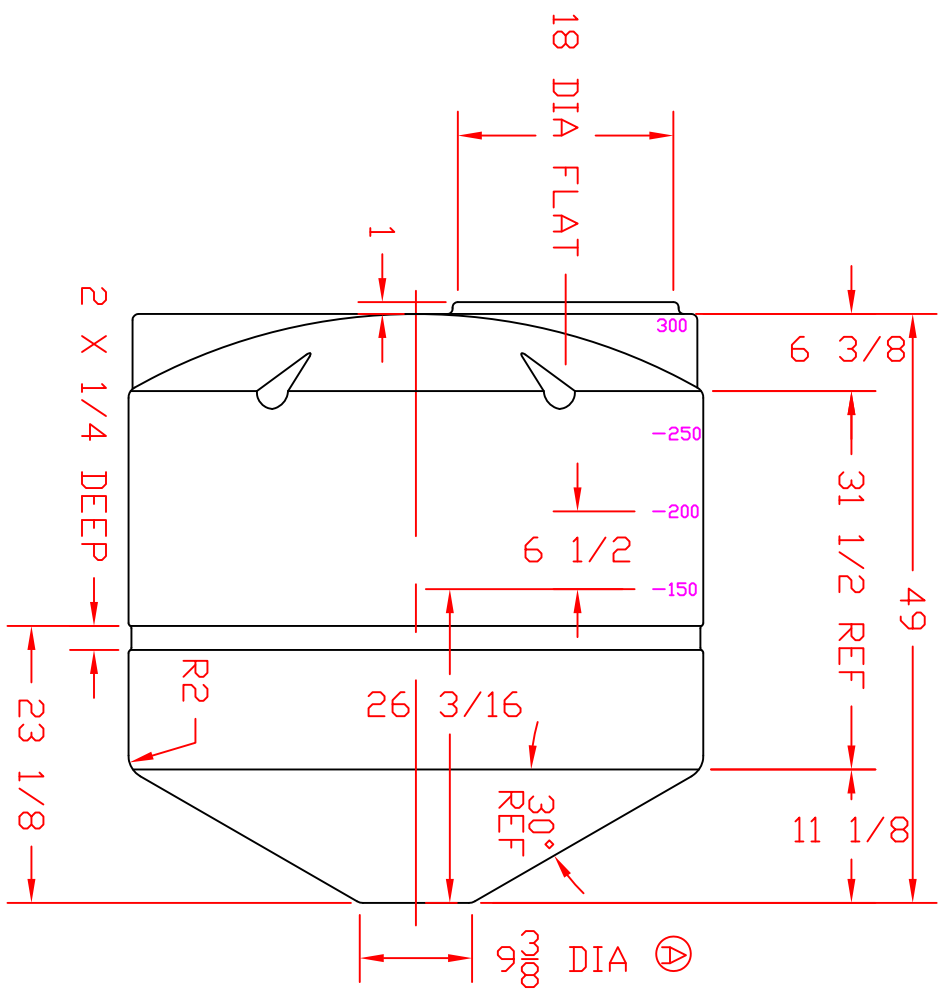
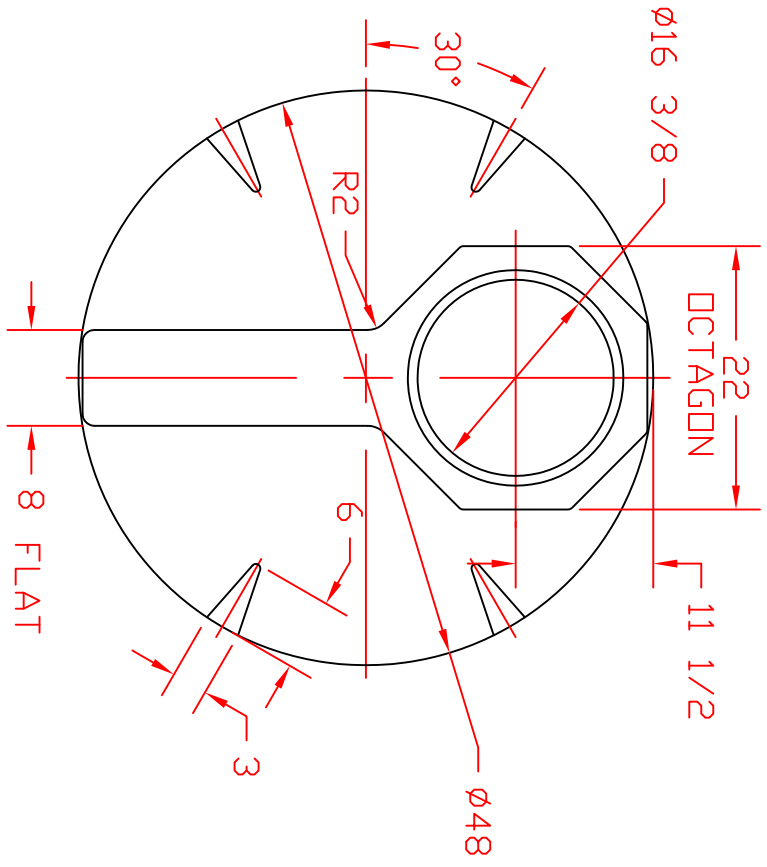


REVISIONS				
ZONE	REV	DESCRIPTION	DATE	APPROVED
	A	DIMENSION ADDED	24 JAN05	



 ST. BONIFACIUS, MN		JTP 15APR97	
		300 GALLON CONE BOTTOM TANK	
SCALE 1/16	FSCM NO.	DWG NO.	REV A
SHEET		REV A	