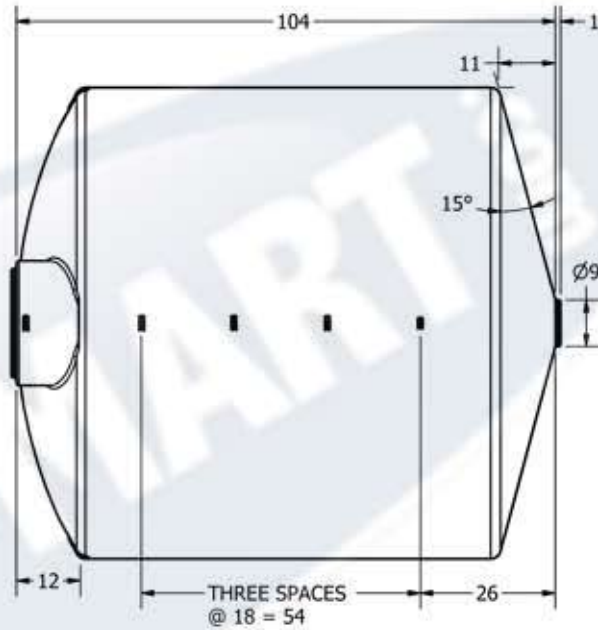


SECTION A-A
SCALE 1 / 24



DRAWN Jerry Paulson	5/7/2009	PLASTIC-MART 866-310-2556	
CHECKED		TITLE	
QA		2500 GALLON CONE BOTTOM TANK X 91 DIAMETER X 15 DEGREE CONE	
MFG		SIZE	DWG NO
APPROVED		B	REV
SCALE: 1/24		SHEET 1 OF 1	