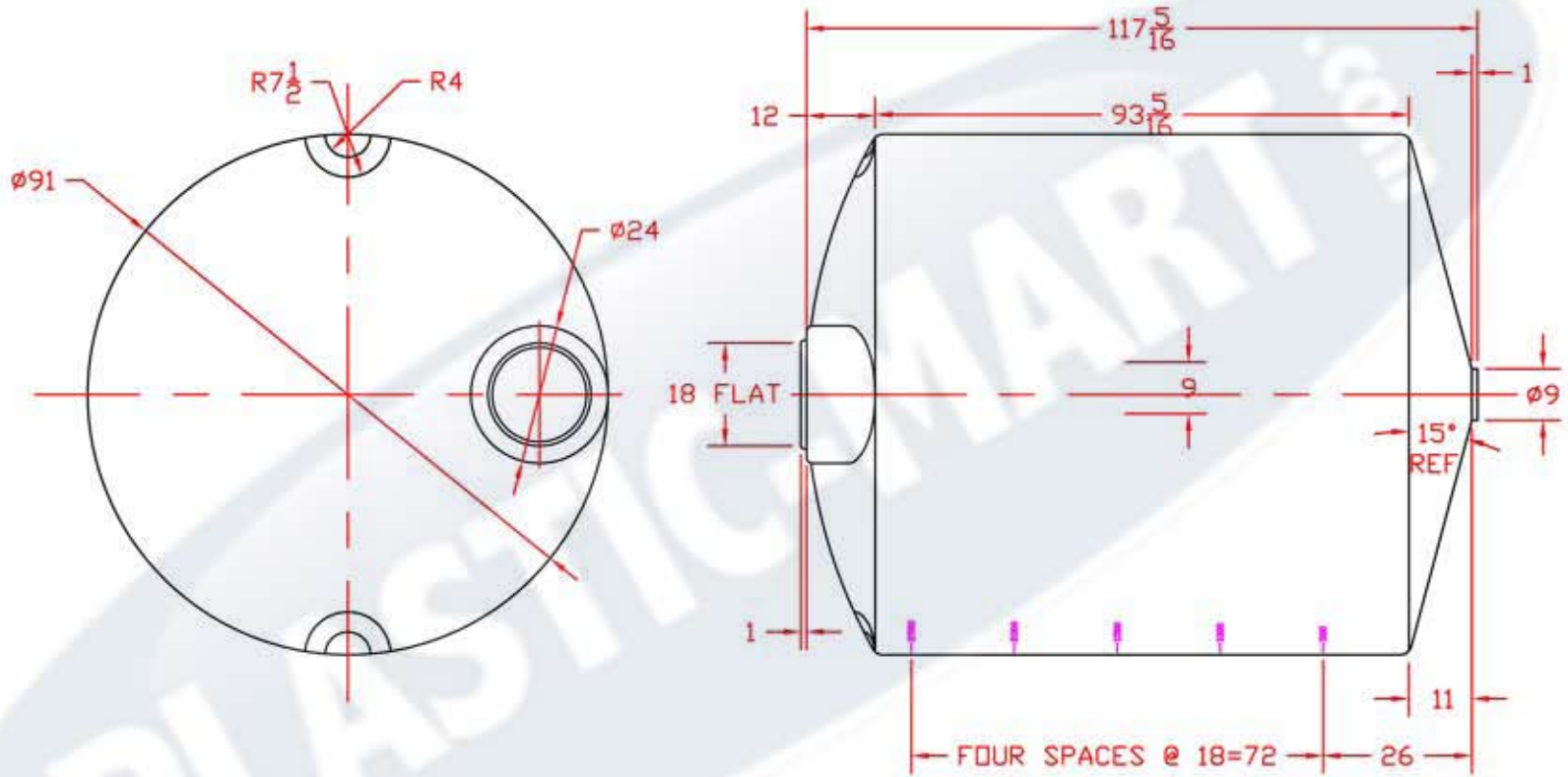


		REVISIONS			
ZONE	REV	DESCRIPTION	DATE	APPROVED	



		<b>PLASTIC-MART I</b> 866-310-2556	
		3000 GAL CONE BOTTOM TANK X 15DEG	
JTP	21SEP98	SIZE <b>B</b>	FSCM NO.
		DWG NO.	REV
		SCALE 1/24	SHEET