

**Directions:** Please complete all the information and submit back to **(512)548-6050** or email to **info@tank-mart.com**  
A representative will call back to go over every detail and make sure you're comfortable enough to place your order.

1. Enter part number and quantity
2. Enter length, width and height in inches
3. Use the fitting images to indicate location of fittings
  - INDICATES A HIDDEN FITTING (Bottom, Left & Backside)
  - INDICATES A VISIBLE FITTING (Top, Right & Frontside)
4. Most fittings we install will be female NPT
5. We will contact you to discuss the type of fittings to be installed

**THIS TANK WILL BE USED FOR:**

BOAT     RV

OTHER: \_\_\_\_\_

IT WILL CONTAIN:

NAME: \_\_\_\_\_

COMPANY: \_\_\_\_\_

PHONE: \_\_\_\_\_

EMAIL: \_\_\_\_\_

SHIP TO ADDRESS: \_\_\_\_\_

\_\_\_\_\_

SHIP TO PHONE: \_\_\_\_\_

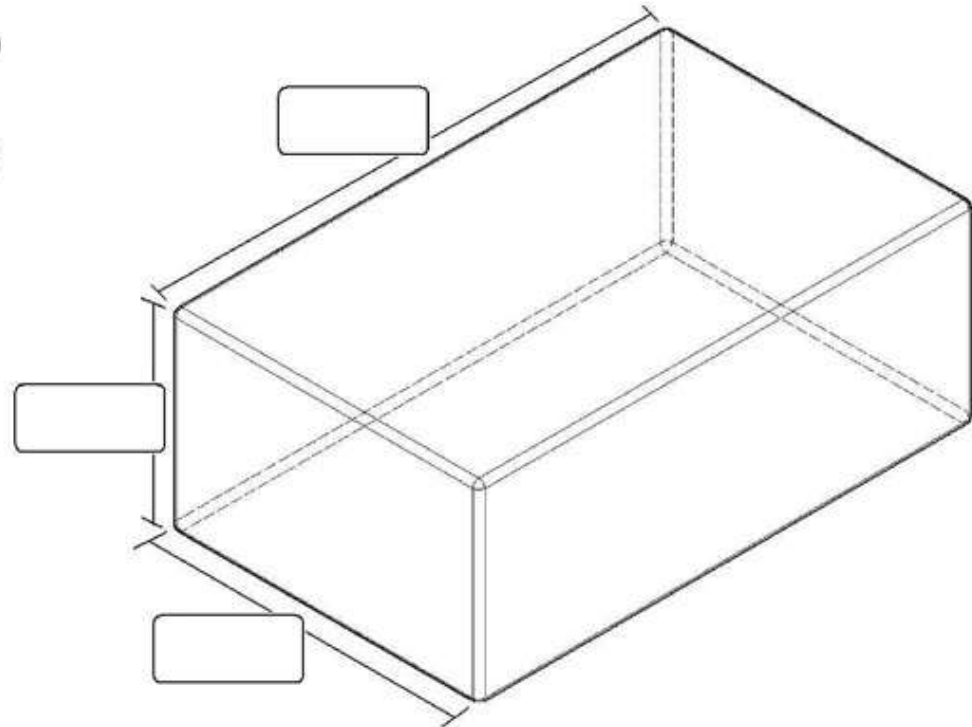
SHIP TO: COMMERCIAL     RESIDENTIAL

Part Number: \_\_\_\_\_

Quantity: \_\_\_\_\_



**(800) 211-7998**  
**ATTN: SCOTT**



**THIS TANK IS NOT  
INTENDED FOR FUEL USE**