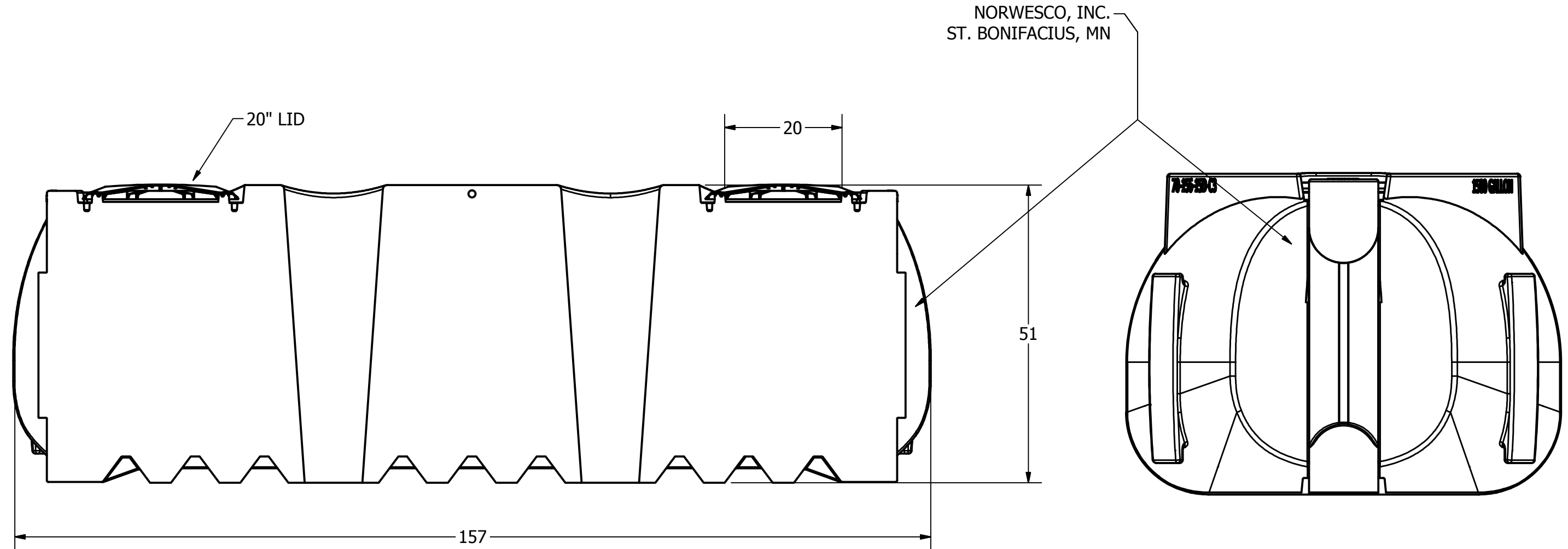



MATERIAL: HIGH-DENSITY POLYETHYLENE
 NSF 61 LISTED
 1750 US GALLONS WORKING CAPACITY

ZONE		REV	DESCRIPTION	DATE	APPROVED



DRAWN Todd Bolzer	7/6/2015	 NORWESCO NORWESCO, INC., ST. BONIFACIUS, MN TITLE		
CHECKED				
QA		1750 LOW PROFILE CISTERN		
MFG				
APPROVED		SIZE B	DWG NO 43550	REV
		SCALE: 1/16	SHEET 1 OF 1	

ALL DIMENSIONS ARE IN INCHES, NOMINAL, AND SUBJECT TO CHANGE WITHOUT NOTICE.
 ALL DIMENSIONS ON ROTATIONALLY MOLDED PARTS ARE SUBJECT TO A ±3% TOLERANCE