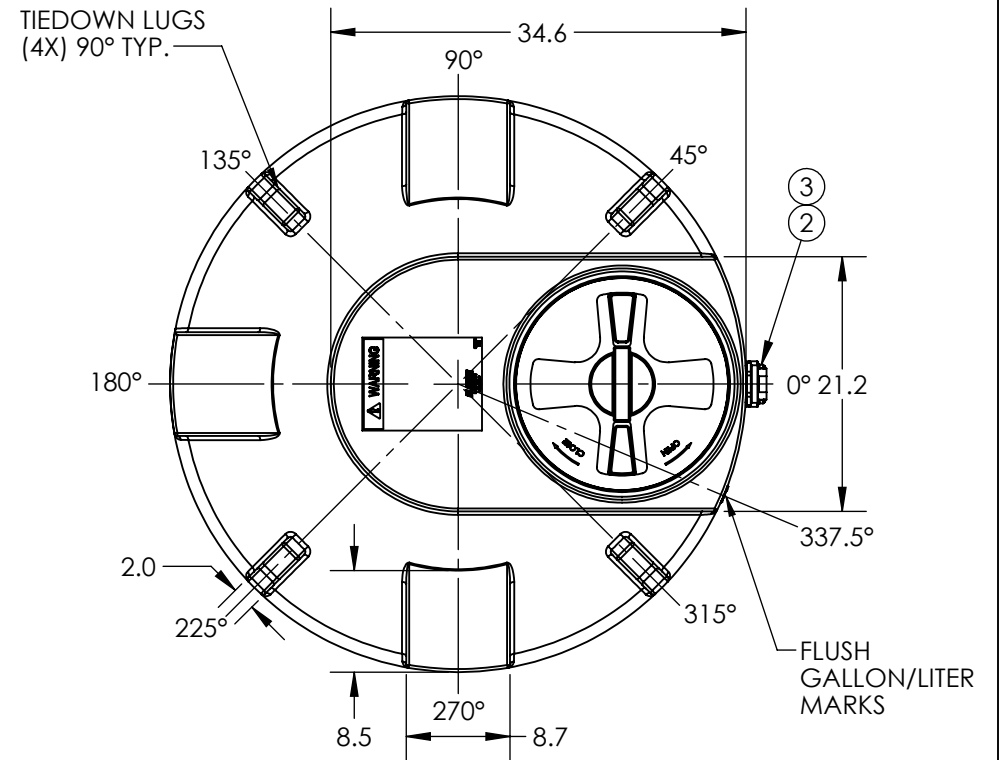
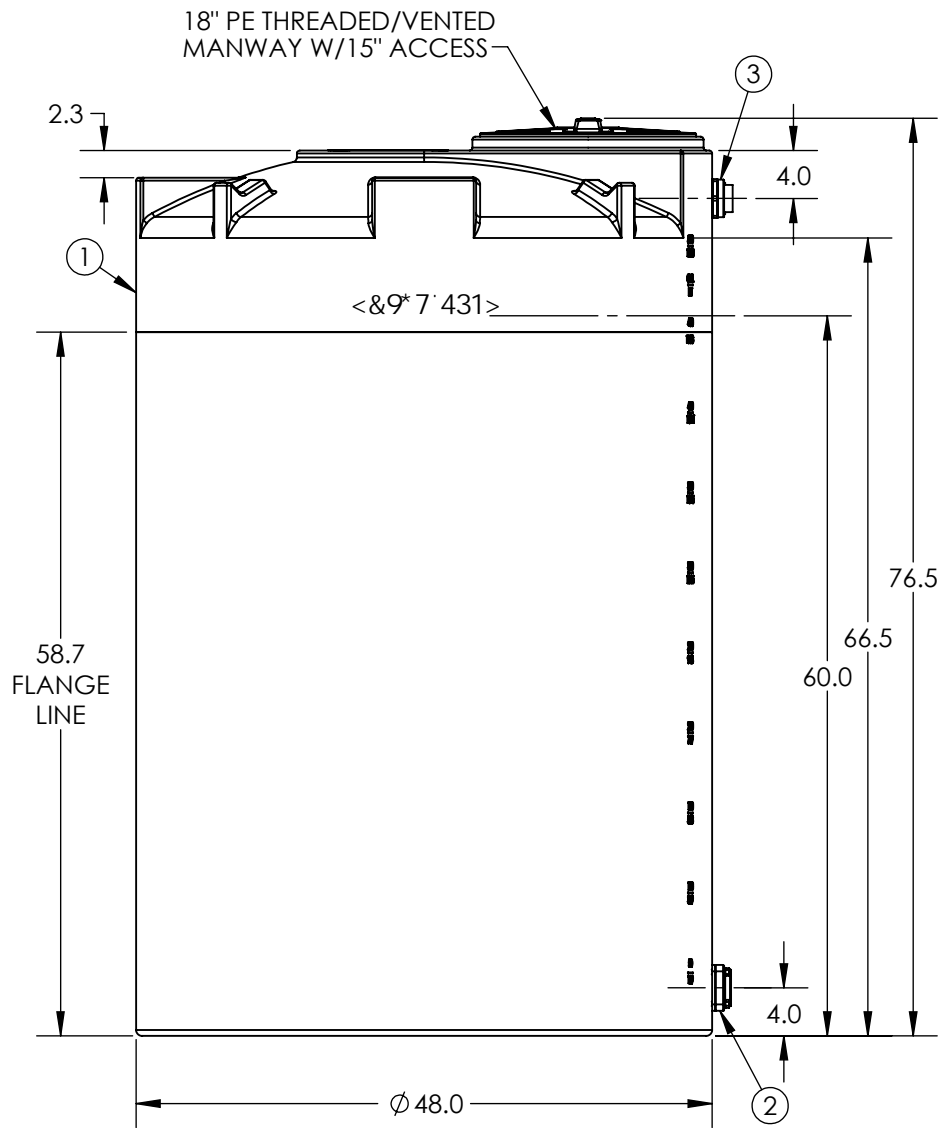


PART NUMBER	DESCRIPTION
1800400W94203	ASM TK 550VCT X 48 HD/BLK WATER
1800400W99803	ASM TK 550VCT X 48 HD/GDO WATER
1800400W91603	ASM TK 550VCT X 48 HD/TAN WATER



3	1	34100144	FTG PP 1-1/2IN BH EPDM
2	1	34100103	FTG PP 2IN BLTD EPDM
1	1	1800400W__01	ASM TK 550VCT X 48 NH
ITEM NO.	QTY.	PART NUMBER	DESCRIPTION
DO NOT SCALE		DRAWN BY	REVISION
STATUS: Released		KB	SNYDER INDUSTRIES, INC. ASM TK 550VCT X 48 WATER A
© SNYDER INDUSTRIES INC., 2015			SHEET 1 OF 1
ALL DIMENSIONS, DESIGNS, AND INFORMATION ON THIS PRINT MUST BE CONSIDERED PROPRIETARY TO SNYDER INDUSTRIES, INC. AND MAY NOT BE USED, COPIED, OR DISTRIBUTED WITHOUT WRITTEN PERMISSION OF AN OFFICER (OR HIS AGENT) OF THE FIRM.			ENG. ID. 1800400W__03
(402) 467-5221 www.snyderinet.com			PART NO. SEE CHART

***ALL EXTERNAL PIPING MUST BE INDEPENDENTLY SUPPORTED.**
***ONLY BASE FITTINGS TO BE LEFT INSTALLED AT TIME OF SHIPMENT PER SII PROCEDURE.**
***Consult Snyder's Guidelines for Use and Installation prior to delivery.**
 Available on-line at <http://www.snyderindustriestanks.com/Technical>
ALL DIMENSIONS ARE IN INCHES, NOMINAL, & SUBJECT TO CHANGE WITHOUT NOTICE.
ALL DIMENSIONS ON ROTATIONAL MOLDED PARTS ARE SUBJECT TO A ± 3% TOLERANCE.