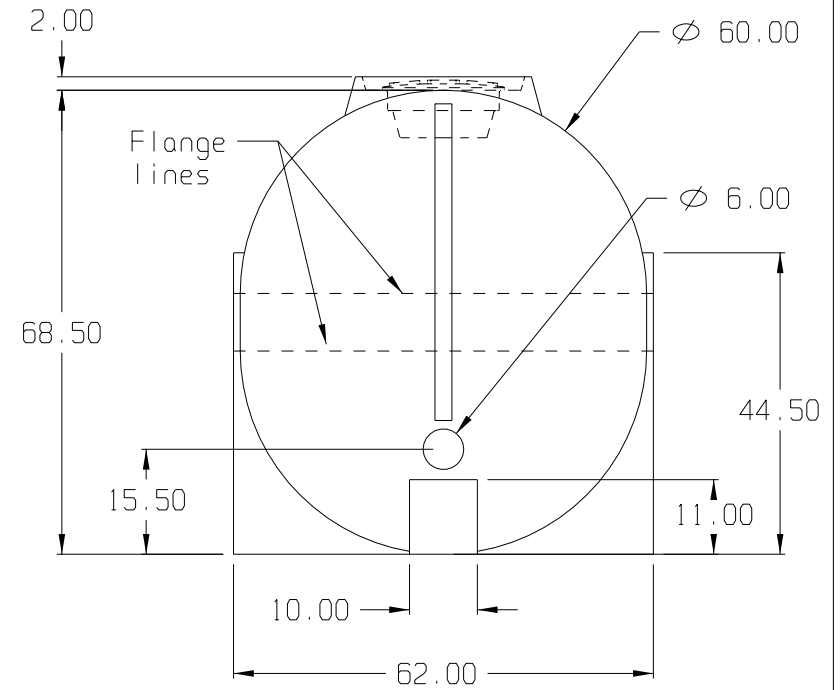
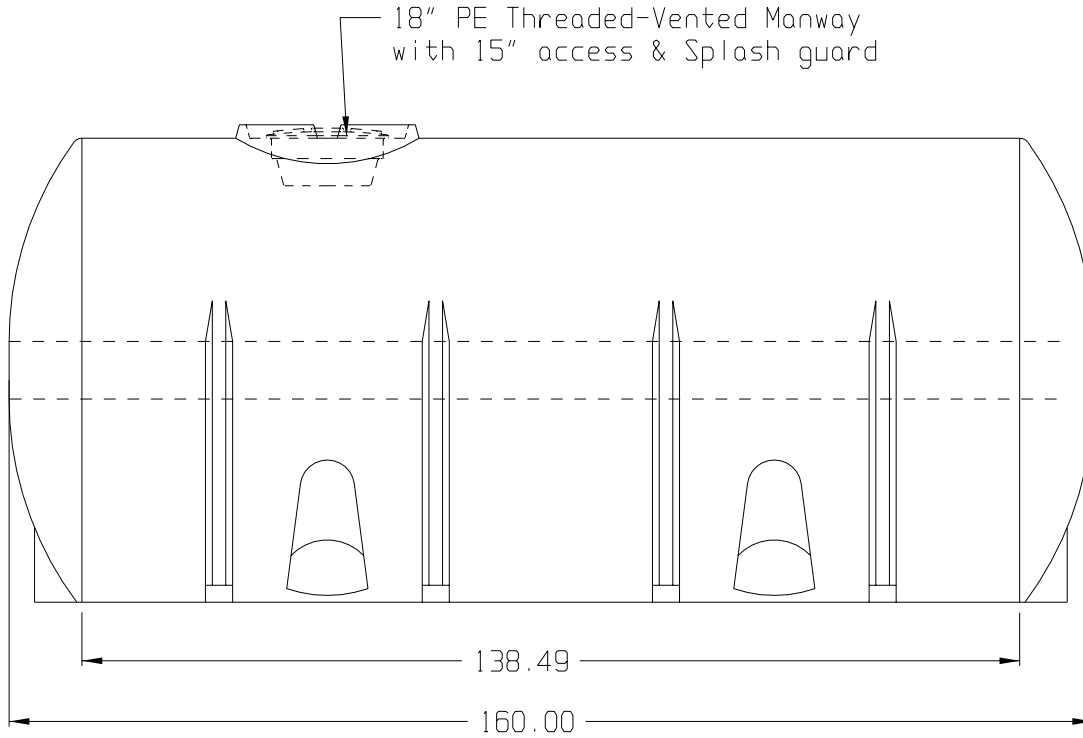


18" PE Threaded-Vented Manway
with 15" access & Splash guard



(nominal dimensions shown)
(all dimensions in inches)

BASE FITTINGS TO BE LEFT INSTALLED AT TIME OF SHIPMENT PER Sii PROCEDURE

PART # TANK: 7510--

2,000 GALLON HORIZONTAL LEG TANK

REF#: 0000

08/06/02